

050-634

Novell

NDS Design and Implimentation

OfficialCerts.com is a reputable IT certification examination guide, study guides and audio exam provider. We ensure that you pass your 050-634 exam in first attempt and also get high scores to acquire Novell certification.

If you use OfficialCerts 050-634 Certification questions and answers, you will experience actual 050-634 exam questions/answers. We know exactly what is needed and have all the exam preparation material required to pass the exam. Our Novell exam prep covers over 95% of the questions and answers that may be appeared in your 050-634 exam. Every point from pass4sure 050-634 PDF, 050-634 review will help you take Novell 050-634 exam much easier and become Novell certified.

Here's what you can expect from the OfficialCerts Novell 050-634 course:

- * Up-to-Date Novell 050-634 questions as experienced in the real exam.*
- * 100% correct Novell 050-634 answers you simply can't find in other 050-634 courses.*
- * All of our tests are easy to download. Your file will be saved as a 050-634 PDF.*
- * Novell 050-634 brain dump free content featuring the real 050-634 test questions.*

Novell 050-634 certification exam is of core importance both in your Professional life and Novell certification path. With Novell certification you can get a good job easily in the market and get on your path for success. Professionals who passed Novell 050-634 exam training are an absolute favorite in the industry. You will pass Novell 050-634 certification test and career opportunities will be open for you.

<http://tripleamarine.com/?cert=exams.asp?examcode=050-634>



Total Question.102

QUESTION 1

You have installed the first four servers in Certkiller 's NDS tree. You accepted all time defaults when installing. What types of time servers exist in your tree?

- A. 1 Primary and 3 secondaries
- B. 1 reference and 3 secondaries
- C. 1 single reference and 3 secondaries
- D. 1 reference, 2 primaries, and 1 secondary
- E. 1 single reference, 1 primary, and 2 secondaries

Answer: C

QUESTION 2

Examine the exhibits

Exhibit A:

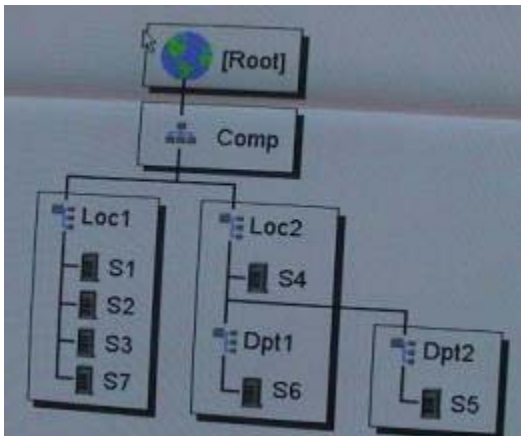


Exhibit B:

Server	Partitions				
	[Root]	Comp	Loc1	Loc2	Dpt2
S1				R/W	R/W
S2	Master	R/W	R/W		
S3		Master	Master		
S4				R/W	R/W
S5				Master	Master
S6	R/W	R/W			
S7	R/W		R/W		

Which servers hold a subordinate reference replica of the Loc2 partition? (Choose Three)

- A. S1
- B. S2
- C. S3
- D. S4

- E. S5
- F. S6
- G. S7

Answer: B, C, F

QUESTION 3

What are the primary methods of network administration? (Choose two)

- A. Location administration
- B. Container administration
- C. Partition administration
- D. Centralized administration
- E. Decentralized administration

Answer: D, E

QUESTION 4

Which statements are true regarding NDS rights after merging trees? (Choose two)

- A. The trustee list (ACL) of the source tree [Root] is discarded
- B. The admin object in the target tree loses all rights to [Root]
- C. The source NDS tree user object used in the merge will be granted Supervisor object rights to the entire new NDS tree
- D. Trustees of the target NDS tree [Root] will be lost
- E. The target server object will be granted rights to [Root] of the new NDS tree

Answer: A, C

QUESTION 5

If a secondary time server is not synchronized to a single reference time server, what percentage of the time difference does the secondary time server make during the next polling process?

- A. 10%
- B. 25%
- C. 50%
- D. 75%
- E. 100%

Answer: E

QUESTION 6

After the merging of two trees is complete, what are additional tasks that might need to be performed? (Choose Two)

- A. Correct login scripts
- B. Recreate the target tree's Admin user
- C. Reapply all replicas back to the target server
- D. Modify client parameter for the name context and preferred tree parameters
- E. Restore the rights to those users who had rights to the target tree's [Root] object

Answer: A, D

QUESTION 7

Examine the exhibits.

Exhibit A:

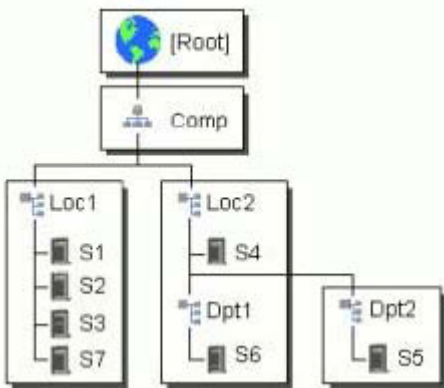


Exhibit B:

Server	Partitions				
	[Root]	Comp	Loc1	Loc2	Dpt2
S1	Master	R/W Master	R/W Master	R/W	R/W
S2					
S3					
S4				R/W Master	R/W Master
S5					
S6	R/W	R/W			
S7	R/W		R/W		

Which servers will hold at least one subordinate reference replica? (Choose Four)

- A. S1
- B. S2
- C. S3
- D. S4
- E. S5
- F. S6
- G. S7

Answer: B, C, F, G

QUESTION 8

Which of the following options apply when administrating mobile users? (Choose two)

OfficialCerts.com Certification Exam Full Version Features;

- Verified answers researched by industry experts.
- Exams **updated** on regular basis.
- Questions, Answers are downloadable in **PDF** format.
- **No authorization** code required to open exam.
- **Portable** anywhere.
- 100% success **Guarantee**.
- **Fast**, helpful support 24x7.

View list of All exams we offer;

<http://www.officialcerts.com/allexams.asp>

To contact our Support;

<http://www.officialcerts.com/support.asp>

View FAQs

<http://www.officialcerts.com/faq.asp>

Download All Exams Samples

<http://www.officialcerts.com/samples.asp>

To purchase Full Version and updated exam;

<http://www.officialcerts.com/allexams.asp>



Shop now using **PayPal**



3COM	CompTIA	Filemaker	IBM	LPI	OMG	Sun
ADOBE	ComputerAssociates	Fortinet	IISFA	McAfee	Oracle	Sybase
APC	CWNP	Foundry	Intel	McData	PMI	Symantec
Apple	DELL	Fujitsu	ISACA	Microsoft	Polycom	TeraData
BEA	ECCouncil	GuidanceSoftware	ISC2	Mile2	RedHat	TIA
BICSI	EMC	HDI	ISEB	NetworkAppliance	Sair	Tibco
CheckPoint	Enterasys	Hitachi	ISM	Network-General	SASInstitute	TruSecure
Cisco	ExamExpress	HP	Juniper	Nokia	SCP	Veritas
Citrix	Exin	Huawei	Legato	Nortel	See-Beyond	Vmware
CIW	ExtremeNetworks	Hyperion	Lotus	Novell	Google	

You have made the
Right Choice

You are becoming member of most comprehensive, accurate, highest quality and lowest cost certification resource in the world.

