

310-051

Sun

Sun Certified Enterprise Architect for J2EE Technology

Visit: <http://www.pass4sureofficial.com/exams.asp?examcode=310-051>

Pass4sureofficial.com is a reputable IT certification examination guide, study guides and audio exam provider, we not only ensure that you pass your 310-051 exam in first attempt, but also you can get a high score to acquire Sun certification.

If you use pass4sureofficial 310-051 Certification questions and answers, you will experience actual 310-051 exam questions/answers. We know exactly what is needed and have all the exam preparation material required to pass the exam. Our Sun exam prep covers over 95% of the questions and answers that may be appeared in your 310-051 exam. Every point from pass4sure 310-051 PDF, 310-051 review will help you take Sun 310-051 exam much easier and become Sun certified. All the Questions/Answers are taken from real exams.

Here's what you can expect from the Pass4sureOfficial Sun 310-051 course:

- * Up-to-Date Sun 310-051 questions taken from the real exam.*
- * 100% correct Sun 310-051 answers you simply can't find in other 310-051 courses.*
- * All of our tests are easy to download. Your file will be saved as a 310-051 PDF.*
- * Sun 310-051 brain dump free content featuring the real 310-051 test questions.*

Sun 310-051 certification exam is of core importance both in your Professional life and Sun certification path. With Sun certification you can get a good job easily in the market and get on your path for success. Professionals who passed Sun 310-051 exam training are an absolute favorite in the industry. You will pass Sun 310-051 certification test and career opportunities will be open for you.



Exam Name:	Sun Certified Enterprise Architect for J2EE Technology		
Exam Type	Sun	Exam Code:	310-051
Doc. Type:	Q & A with Explanations	Total Questions:	146

Question: 1

Your company's employee assistance program (EAP) application is now required to be deployed on the Web.

The following are characteristics and requirements of the new system:

- * The UI is an off-the-shelf, unsigned terminal-emulator applet.
 - * The applet communicates with a terminal server using a proprietary TCP/IP-based protocol.
 - * The terminal server sits behind the corporate firewall and listens on port 10001.
 - * The only configurable items for the applet are the host IP and port of the terminal server.
 - * You company's firewall only allows traffic through on port 80 for HTTP and port 443 for HTTPS.
- Problem: The applet is unable to communicate through the firewall.

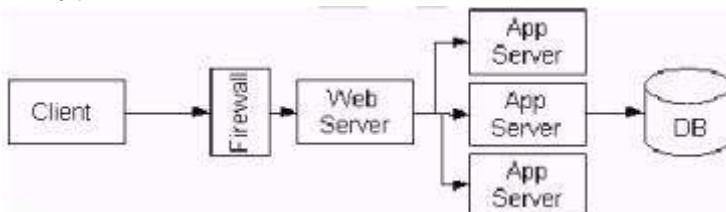
Which two statements about this architecture are false? (Choose two)

- A. If the applet were signed, it could communicate directly with the terminal server.
- B. If the terminal server were signed, the applet could communicate with it directly on port 10001.
- C. The applet can communicate with the terminal server if the firewall is modified to allow traffic through on port 10001.
- D. The applet can communicate with the terminal server if it is configured to communicate with the terminal server on port 80 or 443.

Answer: A, B

Question: 2

Exhibit:



The current architecture consists of one Web server, three application servers, and a database. The new architecture will add more Web servers.

Which two statements about the new architecture are false? (Choose two)

- A. Adding more webservers will have a negative impact on scalability.
- B. DNS round-robin can be used to load-distribute HTTP traffic to the Web servers.
- C. When using HTTP, a load-balancer takes care of managing Web-server session states.
- D. When using HTTPS, a load-balancer must route all traffic in the same session to the same Web server.

Answer: A, C

Question: 3

Which two improve software maintainability? (Choose two)

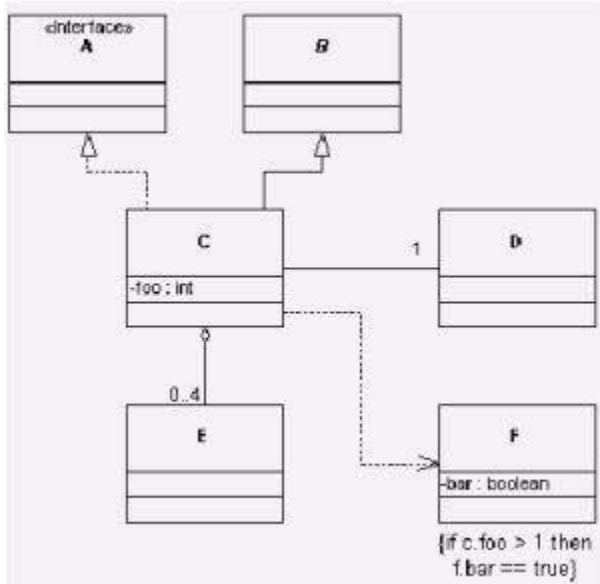
- A. Code factoring
- B. Reusing components
- C. Public instance variables
- D. Dependencies between components

Answer: A, B

Exam Name:	Sun Certified Enterprise Architect for J2EE Technology		
Exam Type	Sun	Exam Code:	310-051
Doc. Type:	Q & A with Explanations	Total Questions:	146

Question: 4

Exhibit:



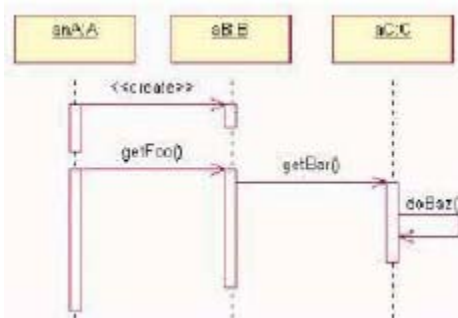
In the exhibit, what is the relationship between A and C?

- A. C depends on A
- B. A depends on C.
- C. A is a realization of C.
- D. C is a realization of A.
- E. C is an aggregation of A.
- F. A is a specialization of C.
- G. A is a generalization of C.
- H. C is a specialization of A.

Answer: D

Question: 5

Exhibit:



Which two statements about the exhibit are true? (Choose two)

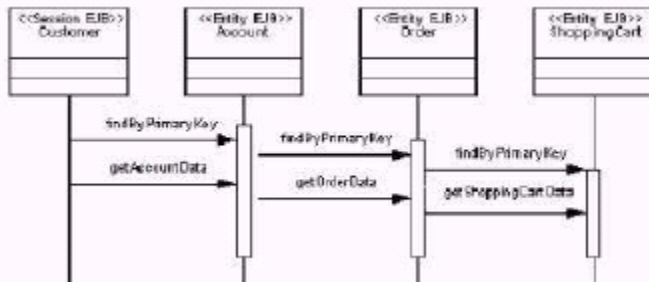
- A. The object method doBaz() is self-called.
- B. getBar() is a method in the C class.
- C. getBar() is a class B accessor method.
- D. The method doBaz() calls the getBar() method.
- E. doBaz() will return its result to the method getFoo().

Exam Name:	Sun Certified Enterprise Architect for J2EE Technology		
Exam Type	Sun	Exam Code:	310-051
Doc. Type:	Q & A with Explanations	Total Questions:	146

Answer: A, B

Question: 6

Exhibit:



The exhibit shows the communication between four EJBs.

Which change to the existing architecture helps increase performance?

- A. Convert all entity beans to stateful session beans.
- B. Convert all entity beans to stateless session beans.
- C. Use bean-managed persistence for each entity bean.
- D. Have each EJB hold a reference to the EJB it calls, instead of calling findByPrimaryKey().

Answer: D

Question: 7

Your supply chain software currently runs a standalone application which communicates to the backend services using IIOP.

The new requirements for the software are:

- * The client software must run as an applet.
- * The user's firewall will only allow port 80 and 443 traffic through its firewall.
- * All the backend services will be CORBA-based.
- * A Web server sits in front of the COBRA services.
- * The backend Web server runs on port 80 and 443.

Which two solutions support the new requirements? (Choose two)

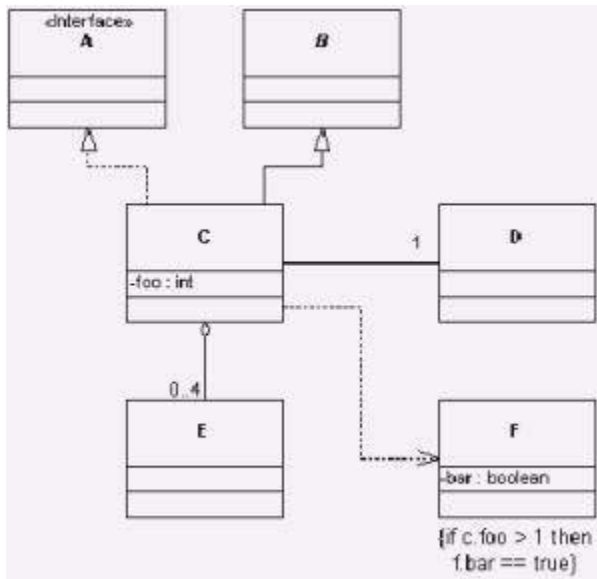
- A. You convert the application to an applet and use IIOP to communicate with the backend services.
- B. You convert the application to an applet running outside the browser and send XML through port 443.
- C. You convert the application to an applet and use IIOP tunneled through HTTP to communicate with the backend services.
- D. You convert the application to an applet and use HTTPS to communicate with a servlet which communicates with the backend services using IIOP.

Answer: C, D

Question: 8

Exhibit:

Exam Name:	Sun Certified Enterprise Architect for J2EE Technology		
Exam Type	Sun	Exam Code:	310-051
Doc. Type:	Q & A with Explanations	Total Questions:	146



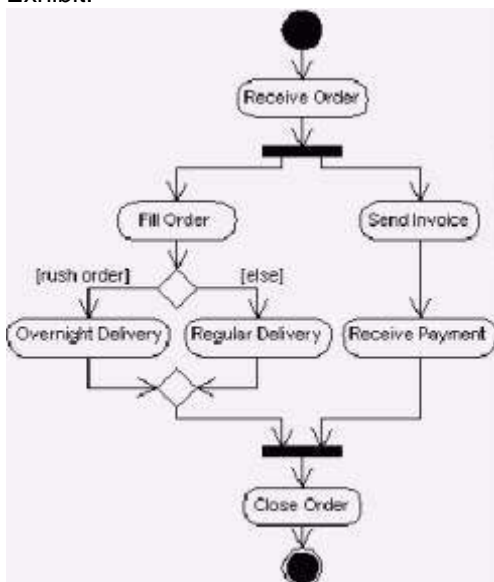
In the exhibit, what is the relationship between C and F?

- A. C depends on F.
- B. F depends on C.
- C. F is a realization of C.
- D. C is a realization of F.
- E. C is an aggregation of F.
- F. F is a specialization of C.
- G. F is a generalization of C.
- H. C is a specialization of F.

Answer : A

Question: 9

Exhibit:



What type of diagram is displayed in the exhibit?

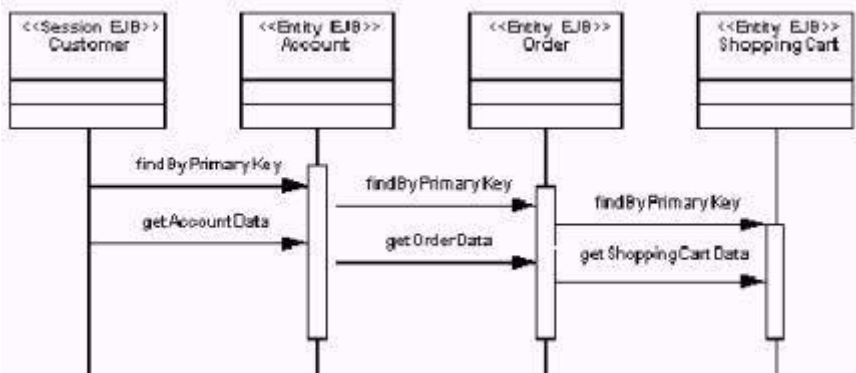
Exam Name:	Sun Certified Enterprise Architect for J2EE Technology		
Exam Type	Sun	Exam Code:	310-051
Doc. Type:	Q & A with Explanations	Total Questions:	146

- A. State diagram
- B. Activity diagram
- C. Class diagram
- D. Use case diagram
- E. Sequence diagram
- F. Interaction diagram
- G. Collaboration diagram

Answer: B

Question: 10

Exhibit:



The exhibit shows the communication between four EJBs.

Which two changes to the existing architecture will increase performance? (Choose two)

- A. Convert all entity beans to stateless session beans.
- B. Use bean-managed persistence for each entity bean.
- C. Have Customer call Account, Order, and ShoppingCart directly.
- D. Have each EJB hold a reference to the EJB it calls, instead of calling findByPrimaryKey().

Answer: C, D

Question: 11

What decreases software maintainability? (Choose two)

- A. Code reuse
- B. Data sharing
- C. High coupling
- D. Code factoring

Answer: B, C

Question: 12

Exhibit:

Pass4SureOfficial.com Lifetime Membership Features;

- Pass4SureOfficial Lifetime Membership Package includes over **2500** Exams.
- **All** exams Questions and Answers are included in package.
- **All** Audio Guides are included **free** in package.
- **All** Study Guides are included **free** in package.
- **Lifetime** login access.
- Unlimited download, no account expiry, no hidden charges, just one time \$99 payment.
- **Free updates** for Lifetime.
- **Free Download Access** to All new exams added in future.
- Accurate answers with explanations (If applicable).
- Verified answers researched by industry experts.
- Study Material **updated** on regular basis.
- Questions, Answers and Study Guides are downloadable in **PDF** format.
- Audio Exams are downloadable in **MP3** format.
- **No authorization** code required to open exam.
- **Portable** anywhere.
- 100% success **Guarantee**.
- **Fast**, helpful support 24x7.

View list of All exams (Q&A) downloads

<http://www.pass4sureofficial.com/allexams.asp>

View list of All Study Guides (SG) downloads

<http://www.pass4sureofficial.com/study-guides.asp>

View list of All Audio Exams (AE) downloads

<http://www.pass4sureofficial.com/audio-exams.asp>

Download All Exams Samples

<http://www.pass4sureofficial.com/samples.asp>

To purchase \$99 Lifetime Full Access Membership click here

<http://www.pass4sureofficial.com/purchase.asp>

3COM	CompTIA	Filemaker	IBM	LPI	OMG	Sun
ADOBE	ComputerAssociates	Fortinet	IISFA	McAfee	Oracle	Sybase
APC	CWNP	Foundry	Intel	McData	PMI	Symantec
Apple	DELL	Fujitsu	ISACA	Microsoft	Polycom	TeraData
BEA	ECCouncil	GuidanceSoftware	ISC2	Mile2	RedHat	TIA
BICSI	EMC	HDI	ISEB	NetworkAppliance	Sair	Tibco
CheckPoint	Enterasys	Hitachi	ISM	Network-General	SASInstitute	TruSecure
Cisco	ExamExpress	HP	Juniper	Nokia	SCP	Veritas
Citrix	Exin	Huawei	Legato	Nortel	See-Beyond	Vmware
CIW	ExtremeNetworks	Hyperion	Lotus	Novell	SNIA	

