

642-691

Cisco

BGP + MPLS

OfficialCerts.com is a reputable IT certification examination guide, study guides and audio exam provider. We ensure that you pass your 642-691 exam in first attempt and also get high scores to acquire Cisco certification.

If you use OfficialCerts 642-691 Certification questions and answers, you will experience actual 642-691 exam questions/answers. We know exactly what is needed and have all the exam preparation material required to pass the exam. Our Cisco exam prep covers over 95% of the questions and answers that may be appeared in your 642-691 exam. Every point from pass4sure 642-691 PDF, 642-691 review will help you take Cisco 642-691 exam much easier and become Cisco certified.

Here's what you can expect from the OfficialCerts Cisco 642-691 course:

- * Up-to-Date Cisco 642-691 questions as experienced in the real exam.*
- * 100% correct Cisco 642-691 answers you simply can't find in other 642-691 courses.*
- * All of our tests are easy to download. Your file will be saved as a 642-691 PDF.*
- * Cisco 642-691 brain dump free content featuring the real 642-691 test questions.*

Cisco 642-691 certification exam is of core importance both in your Professional life and Cisco certification path. With Cisco certification you can get a good job easily in the market and get on your path for success. Professionals who passed Cisco 642-691 exam training are an absolute favorite in the industry. You will pass Cisco 642-691 certification test and career opportunities will be open for you.

<http://tripleamarine.com/?cert=exams.asp?examcode=642-691>



QUESTION 1:

Every time a flap occurs on a route, the route receives _____

- A. 750 per-flap penalty points which are user configurable
- B. 1500 per-flap penalty points which are user configurable
- C. 200 per-flap penalty points which are user configurable
- D. 1000 per-flap penalty points which are not user configurable
- E. 2000 per-flap penalty points which are not user configurable

Answer: D

Explanation: Everytime a flap occurs a penalty of 1000 is made and is not configurable. See sections on route dampening in Internet routing architectures guide.

QUESTION 2:

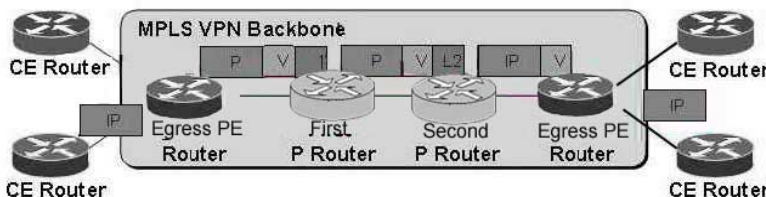
Which component of MPLS architecture uses protocols such as the label distribution (LDP) and tag distribution protocol (TDP) to exchange labels?

- A. Control pane
- B. Data plane
- C. Routing plane
- D. Forwarding plane

Answer: A

QUESTION 3:

Exhibit:



Which statement is true about packet forwarding across an MPLS VPN backbone?

- A. Penultimate hop popping (PHP) on the LDP label is performed by the egress PE router.
- B. Penultimate hop popping (PHP) on the VPN label is performed by the second P router.
- C. Penultimate hop popping (PHP) on the VPN label is performed by the egress PE router.
- D. Penultimate hop popping (PHP) on the LDP label is performed by the second P router.

Answer: D

QUESTION 4:

What is a good definition of Cisco's implementation of an ATM Virtual Path as related to LC-ATM MPLS support?

- A. Designed to establish switch-to-switch connectivity between parts of a public ATM network over a private network.
- B. Designed to establish switch-to-switch connectivity between parts of a private ATM network over a public network.
- C. Designed to establish router-to-router connectivity between parts of a public ATM network over a public network.
- D. Designed to establish router-to-router connectivity between parts of a public ATM network over a private network.

Answer: B

QUESTION 5:

What are two drawbacks when the Internet is accessed through a dedicated subinterface implementation? (Select two.)

- A. The VRF will leak routes into the global routing table.
- B. The P router must run both IGP and BGP.
- C. The PE routers must perform Internet routing
- D. A limited set of Internet services will be implemented.
- E. A separate physical link or specific WAN encapsulation is required.

Answer: C, E

QUESTION 6:

Which three statements are correct regarding Layer 2 overlay VPNs and peer-to-peer VPNs? (Choose three.)

- A. Peer-to-peer VPNs require the establishment of virtual circuits to connect the different customer sites together.
- B. Peer-to-peer VPNs require the service provider to participate in the customer routing, accepting customer routes, transporting them across the service provider backbone, and finally propagating them to other customer sites.
- C. With peer-to-peer VPNs, the service provider is responsible for transport of Layer 2 frames between customer sites, and the customer takes responsibility for all higher layers.
- D. The implementation of Layer 2 overlay VPNs is the traditional switch-WAN model, implemented with technologies like X.25, Frame Relay or ATM.

E. With Layer 2 overlay VPNs, the service provider is not aware of customer routing has no information about customer routers.

F. It is simple to implement Layer 2 overlay VPNs because the Customer Edge (CE) router just needs a connection to the Service Provider's Edge (PE) router.

Answer: B, D, E

QUESTION 7:

Exhibit:

```
router bgp 65123
neighbor 10.1.1.1 remote-as 65111
neighbor 10.1.1.1 route-map test out

route-map test permit 10
match ip address 1
set metric 100
!
route-map test permit 20
set metric 200
!
access-list 1 permit 10.0.0.0
|
```

What will the BGP configuration accomplish? (Choose two.)

- A. Prefix 10.0.0.0/8 announced to neighbor 10.1.1.1. will have a MED of 100.
- B. Prefix 10.0.0.0/8 announced to neighbor 10.1.1.1. will have a MED of 200.
- C. All prefixes except the 10.0.0.0/8 prefix will not be announced to neighbor 10.1.1.1.
- D. All prefixes except the 10.0.0.0/8 prefix announced to neighbor 10.1.1 will have a MED of 0.
- E. All prefixes except the 10.0.0.0/8 prefix announced to neighbor 10.1.1 will have a MED of 200.

Answer: A, E

QUESTION 8:

Exhibit:

```
router bgp 65111
neighbor 172.16.1.1 remote-as 65111
neighbor 172.16.2.1 remote-as 65112
network 192.168.0.0
network 10.0.0.0

ip route 192.168.0.0 255.255.0.0 null0
```

What is wrong with the BGP configuration in the exhibit?

- A. The auto-summary configuration is missing.
- B. The network 10.0.0.0 statement is missing mask 0.255.255.255.

- C. The network 10.0.0.0 statement is missing mask 255.0.0.0
- D. The network 192.168.0.0 statement is missing mask 255.255.0.0.
- E. The network 192.168.0.0 statement is missing mask 0.0.255.255

Answer: D

QUESTION 9:

Why does a modern transit AS not need to have BGP synchronization enabled?

- A. A modern transit AS does not rely on redistribution of BGP routes into an IGP.
- B. A modern transit AS does not rely on redistribution of IGP routes into an IGP.
- C. A modern transit AS rely on redistribution of BGP routes into an IGP.
- D. A modern transit AS rely on redistribution of IGP routes into an IGP.
- E. A modern transit AS uses peer group to reduce the BGP configuration complexity.
- F. Modern transit AS internal (core) routers do not run BGP. Internal (core) routers normally use a default route to reach all external networks.

Answer: A

QUESTION 10:

Which of the following are standard filtering-oriented BGP communities? (Choose four.)

- A. No-export
- B. No-advertise
- C. Remote-as
- D. Local-as
- E. No-reflect
- F. Internet

Answer: A, B, D, F

QUESTION 11:

Between which types of routers are VPNv4 BGP routes propagated?

- A. CE and PE
- B. PE and P
- C. CE and P
- D. P and P
- E. PE and PE
- F. CE and CE

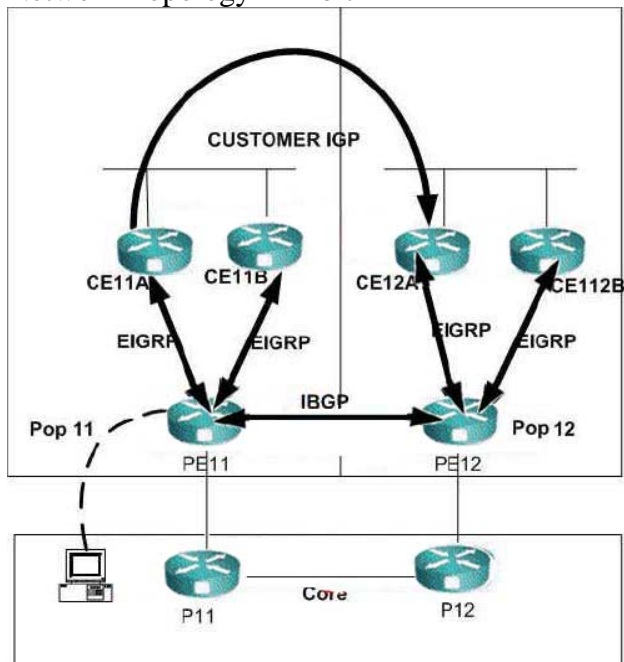
Answer: E

QUESTION 12:

In a managed CE router VPN implementation, what information does the service provider need access to on the customer's CE router?

- A. Access to all customer routes
- B. Access to all the customer's simple VPN VRF
- C. Access to the customer's CE router loopback addresses
- D. Access to the static routes of the customer's CE router

Answer: C

QUESTION 13:**SIMULATION****Network Topology Exhibit**

Certkiller .com is a stock broker service that is using EIGRP AS 1 as the IGP in its network. Certkiller .com has decided to establish connectivity between the New York site and the Los Angeles site. NiceNet, a service provider, has been selected by Certkiller .com to provide the connectivity between the two sites.

For this implementation NiceNet is using a MPLS VPN solution. NiceNet has already established MPLS connectivity between all of its PE routers. MPBGP connectivity has also been established on all PE routers.

Certkiller .com has successfully completed all necessary tasks on the CE routers, and NiceNet has successfully completed all necessary MPLS VPN configuration tasks on PE12. Your task is to successfully complete the implementation of the VPN connection by configuring the MPLS VPN on PE11 using the following information:
Privileged mode password: Certkiller

OfficialCerts.com Certification Exam Full Version Features;

- Verified answers researched by industry experts.
- Exams **updated** on regular basis.
- Questions, Answers are downloadable in **PDF** format.
- **No authorization** code required to open exam.
- **Portable** anywhere.
- 100% success **Guarantee**.
- **Fast**, helpful support 24x7.

View list of All exams we offer;

<http://www.officialcerts.com/allexams.asp>

To contact our Support;

<http://www.officialcerts.com/support.asp>

View FAQs

<http://www.officialcerts.com/faq.asp>

Download All Exams Samples

<http://www.officialcerts.com/samples.asp>

To purchase Full Version and updated exam;

<http://www.officialcerts.com/allexams.asp>



Shop now using **PayPal**



3COM	CompTIA	Filemaker	IBM	LPI	OMG	Sun
ADOBE	ComputerAssociates	Fortinet	IISFA	McAfee	Oracle	Sybase
APC	CWNP	Foundry	Intel	McData	PMI	Symantec
Apple	DELL	Fujitsu	ISACA	Microsoft	Polycom	TeraData
BEA	ECCouncil	GuidanceSoftware	ISC2	Mile2	RedHat	TIA
BICSI	EMC	HDI	ISEB	NetworkAppliance	Sair	Tibco
CheckPoint	Enterasys	Hitachi	ISM	Network-General	SASInstitute	TruSecure
Cisco	ExamExpress	HP	Juniper	Nokia	SCP	Veritas
Citrix	Exin	Huawei	Legato	Nortel	See-Beyond	Vmware
CIW	ExtremeNetworks	Hyperion	Lotus	Novell	Google	

You have made the
Right Choice

You are becoming member of most comprehensive, accurate, highest quality and lowest cost certification resource in the world.

