

E20-870

EMC

Storage Management for Implementation Engineers

OfficialCerts.com is a reputable IT certification examination guide, study guides and audio exam provider. We ensure that you pass your E20-870 exam in first attempt and also get high scores to acquire EMC certification.

If you use OfficialCerts E20-870 Certification questions and answers, you will experience actual E20-870 exam questions/answers. We know exactly what is needed and have all the exam preparation material required to pass the exam. Our EMC exam prep covers over 95% of the questions and answers that may be appeared in your E20-870 exam. Every point from pass4sure E20-870 PDF, E20-870 review will help you take EMC E20-870 exam much easier and become EMC certified.

Here's what you can expect from the OfficialCerts EMC E20-870 course:

- * Up-to-Date EMC E20-870 questions as experienced in the real exam.*
- * 100% correct EMC E20-870 answers you simply can't find in other E20-870 courses.*
- * All of our tests are easy to download. Your file will be saved as a E20-870 PDF.*
- * EMC E20-870 brain dump free content featuring the real E20-870 test questions.*

EMC E20-870 certification exam is of core importance both in your Professional life and EMC certification path. With EMC certification you can get a good job easily in the market and get on your path for success. Professionals who passed EMC E20-870 exam training are an absolute favorite in the industry. You will pass EMC E20-870 certification test and career opportunities will be open for you.

<http://tripleamarine.com/?cert=exams.asp?examcode=E20-870>



QUESTION: 1

When installing ControlCenter on a high latency network that is within the supported limits, what must be considered?

- A. Stores may be installed at remote sites
- B. The number of active consoles should be limited
- C. Commands take longer to execute
- D. Firewalls must not be used

Answer: C

QUESTION: 2

A customer is interested in forwarding all critical CLARiiON array faults to a SNMP-based framework application. What should be configured?

- A. Navisphere Event Monitor to forward array events to the SNMP framework
- B. Navisphere Event Monitor to forward array events to ControlCenter
- C. ControlCenter to forward CLARiiON alerts to the SNMP framework
- D. ControlCenter to forward Navisphere events to the SNMP framework

Answer: A

QUESTION: 3

After installing a new ControlCenter infrastructure, how would you modify the java heap size for the Store?

- A. Execute alter_store_params.bat
- B. Modify the ctg.ini file
- C. Execute alter_java_params.bat
- D. Execute alter_startup_params.bat

Answer: D

QUESTION: 4

A new user "joe" is created on the ControlCenter server. This user is then added as a default ControlCenter Console user by the ControlCenter administrator. User "joe"

should be allowed to perform only configuration and SRDF operations on all discovered Symmetrix units in ControlCenter. How can this be set up?

- A. Assign Symmetrix Configuration Manager and Symmetrix Data Protection Manager rules to "joe"
- B. Add "joe" to ECC Administrators and Symmetrix Data Protection Manager user groups
- C. Assign ECC Administrators and Symmetrix Configuration Manager rules to "joe"
- D. Add "joe" to Symmetrix Configuration Manager and Symmetrix Data Protection Manager user groups

Answer: D

QUESTION: 5

A customer wants reports on applications capacity utilization in StorageScope. What must be done with the application's Managed Objects?

- A. Create user defined groups of the objects within StorageScope
- B. Filter ControlCenter Console View based on the objects
- C. Include the objects in the StorageScope XML data
- D. Create user defined groups of the objects within the ControlCenter Console

Answer: D

QUESTION: 6

When installing ControlCenter on a high latency network that is within the supported limits, what must be considered?

- A. Commands take longer to execute
- B. Stores may be installed at remote sites
- C. Firewalls must not be used
- D. The number of active consoles should be limited

Answer: A

QUESTION: 7

A customer is interested in forwarding all CLARiiON array faults to a SNMP-based framework application. What should be configured?

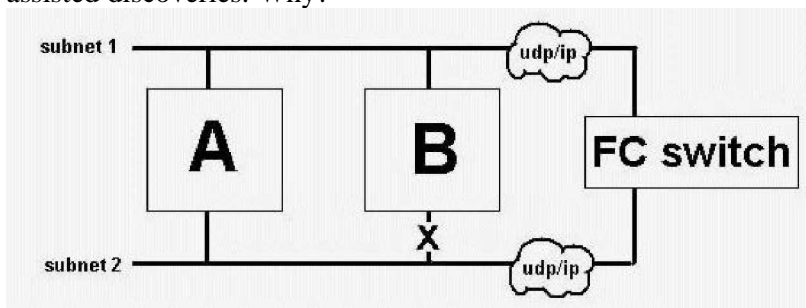
- A. ANavisphere Event Monitor template to forward all CLARiiON array faults to ControlCenter
- B. AControlCenter Management Policy to forward all CLARiiON alerts to the framework application
- C. ANavisphere Event Monitor template to forward all CLARiiON array fault events to the framework application
- D. AControlCenter management policy to forward all Navisphere events to the framework application

Answer: C

QUESTION: 8

Click the Exhibit button.

An 8-port blade of an IP switch has failed, so a network administrator contacts you to see if ControlCenter has any issues. Testing shows that Host B no longer has a connection to subnet 2, and that an FCC Agent on Host B can no longer perform an assisted discovery of the FCC switch. The FCC Agent on Host A can still perform assisted discoveries. Why?



- A. The FCC Agent on Host B has the FQDN of the switch
- B. Host A has NIC teaming on subnet 1, reducing exposure to the failure
- C. There was a firewall on subnet 1 before the blade failure
- D. Host A has a Storage Agent for NAS

Answer: C

QUESTION: 9

A customer wants to export reports from the StorageScope Web interface. Which two [2] formats can be used?

- A. XML

OfficialCerts.com Certification Exam Full Version Features;

- Verified answers researched by industry experts.
- Exams **updated** on regular basis.
- Questions, Answers are downloadable in **PDF** format.
- **No authorization** code required to open exam.
- **Portable** anywhere.
- 100% success **Guarantee**.
- **Fast**, helpful support 24x7.

View list of All exams we offer;

<http://www.officialcerts.com/allexams.asp>

To contact our Support;

<http://www.officialcerts.com/support.asp>

View FAQs

<http://www.officialcerts.com/faq.asp>

Download All Exams Samples

<http://www.officialcerts.com/samples.asp>

To purchase Full Version and updated exam;

<http://www.officialcerts.com/allexams.asp>



Shop now using **PayPal**



3COM	CompTIA	Filemaker	IBM	LPI	OMG	Sun
ADOBE	ComputerAssociates	Fortinet	IISFA	McAfee	Oracle	Sybase
APC	CWNP	Foundry	Intel	McData	PMI	Symantec
Apple	DELL	Fujitsu	ISACA	Microsoft	Polycom	TeraData
BEA	ECCouncil	GuidanceSoftware	ISC2	Mile2	RedHat	TIA
BICSI	EMC	HDI	ISEB	NetworkAppliance	Sair	Tibco
CheckPoint	Enterasys	Hitachi	ISM	Network-General	SASInstitute	TruSecure
Cisco	ExamExpress	HP	Juniper	Nokia	SCP	Veritas
Citrix	Exin	Huawei	Legato	Nortel	See-Beyond	Vmware
CIW	ExtremeNetworks	Hyperion	Lotus	Novell	Google	

You have made the
Right Choice

You are becoming member of most comprehensive, accurate, highest quality and lowest cost certification resource in the world.

